




GRATES & WASTES


Featured Collections


Long Grates Square Wastes Round Wastes Pop-up Wastes

STAINLESS STEEL - CENTRE OUTLET		
 <p>TILE INSERT 80MM CENTRE OUTLET 304 GRADE STAINLESS STEEL SLIMLINE DEPTH</p>	BTIG800-80	800 x 100 x 20mm
	BTIG900-80	900 x 100 x 20mm
	BTIG1000-80	1000 x 100 x 20mm
	BTIG1200-80	1200 x 100 x 20mm
	BTIG1500-80	1500 x 100 x 20mm
	BTIG1800-80	1800 x 100 x 20mm
<p>Please allow an extra 1-2 working days for all orders containing 1500mm and 1800mm profiles.</p>		


STAINLESS STEEL - DIY OUTLET		
 <p>TILE INSERT DIY 80MM SPIGOT 304 GRADE STAINLESS STEEL SLIMLINE DEPTH</p>	BTIG800-80NO	800 x 100 x 20mm
	BTIG900-80NO	900 x 100 x 20mm
	BTIG1000-80NO	1000 x 100 x 20mm
	BTIG1200-80NO	1200 x 100 x 20mm
	BTIG1500-80NO	1500 x 100 x 20mm
	BTIG1800-80NO	1800 x 100 x 20mm
<p>Please allow an extra 1-2 working days for all orders containing 1500mm and 1800mm profiles.</p>		


STAINLESS STEEL - CENTRE OUTLET		
 <p>HEELGUARD 80MM CENTRE OUTLET 304 GRADE STAINLESS STEEL SLIMLINE DEPTH</p>	BHG800-80	800 x 100 x 20mm
	BHG900-80	900 x 100 x 20mm
	BHG1000-80	1000 x 100 x 20mm
	BHG1200-80	1200 x 100 x 20mm
	BHG1500-80	1500 x 100 x 20mm
	BHG1800-80	1800 x 100 x 20mm
<p>Please allow an extra 1-2 working days for all orders containing 1500mm and 1800mm profiles.</p>		


STAINLESS STEEL - DIY OUTLET		
 <p>HEELGUARD DIY 80MM SPIGOT 304 GRADE STAINLESS STEEL SLIMLINE DEPTH</p>	BHG800-80NO	800 x 100 x 20mm
	BHG900-80NO	900 x 100 x 20mm
	BHG1000-80NO	1000 x 100 x 20mm
	BHG1200-80NO	1200 x 100 x 20mm
	BHG1500-80NO	1500 x 100 x 20mm
	BHG1800-80NO	1800 x 100 x 20mm
<p>Please allow an extra 1-2 working days for all orders containing 1500mm and 1800mm profiles.</p>		


<p>MATTE BLACK - CENTRE OUTLET</p>  <p>TILE INSERT 80MM CENTRE OUTLET 304 GRADE STAINLESS STEEL SLIMLINE DEPTH</p>	<p>BTIG800-80MB BTIG900-80MB BTIG1000-80MB BTIG1200-80MB BTIG1500-80MB BTIG1800-80MB</p>	<p>800 x 100 x 20mm 900 x 100 x 20mm 1000 x 100 x 20mm 1200 x 100 x 20mm 1500 x 100 x 20mm 1800 x 100 x 20mm</p>
<p>Please allow an extra 1-2 working days for all orders containing 1500mm and 1800mm profiles.</p>		


<p>MATTE BLACK - DIY OUTLET</p>  <p>TILE INSERT 80MM SPIGOT 304 GRADE STAINLESS STEEL SLIMLINE DEPTH</p>	<p>BTIG800-80MBNO BTIG900-80MBNO BTIG1000-80MBNO BTIG1200-80MBNO BTIG1500-80MBNO BTIG1800-80MBNO</p>	<p>800 x 100 x 20mm 900 x 100 x 20mm 1000 x 100 x 20mm 1200 x 100 x 20mm 1500 x 100 x 20mm 1800 x 100 x 20mm</p>
<p>Please allow an extra 1-2 working days for all orders containing 1500mm and 1800mm profiles.</p>		


<p>MATTE BLACK - CENTRE OUTLET</p>  <p>HEELGUARD 80MM CENTRE OUTLET 304 GRADE STAINLESS STEEL SLIMLINE DEPTH</p>	<p>BHG800-80MB BHG900-80MB BHG1000-80MB BHG1200-80MB BHG1500-80MB BHG1800-80MB</p>	<p>800 x 100 x 20mm 900 x 100 x 20mm 1000 x 100 x 20mm 1200 x 100 x 20mm 1500 x 100 x 20mm 1800 x 100 x 20mm</p>
<p>Please allow an extra 1-2 working days for all orders containing 1500mm and 1800mm profiles.</p>		


<p>MATTE BLACK - DIY OUTLET</p>  <p>HEELGUARD DIY 80MM SPIGOT 304 GRADE STAINLESS STEEL SLIMLINE DEPTH</p>	<p>BHG800-80MBNO BHG900-80MBNO BHG1000-80MBNO BHG1200-80MBNO BHG1500-80MBNO BHG1800-80MBNO</p>	<p>800 x 100 x 20mm 900 x 100 x 20mm 1000 x 100 x 20mm 1200 x 100 x 20mm 1500 x 100 x 20mm 1800 x 100 x 20mm</p>
<p>Please allow an extra 1-2 working days for all orders containing 1500mm and 1800mm profiles.</p>		

BRASS GOLD - CENTRE OUTLET	
 <p>TILE INSERT 80MM CENTRE OUTLET 304 GRADE STAINLESS STEEL SLIMLINE DEPTH</p>	<p>BTIG800-80BG 800 x 100 x 20mm</p> <p>BTIG900-80BG 900 x 100 x 20mm</p> <p>BTIG1000-80BG 1000 x 100 x 20mm</p> <p>BTIG1200-80BG 1200 x 100 x 20mm</p> <p>BTIG1500-80BG 1500 x 100 x 20mm</p> <p>BTIG1800-80BG 1800 x 100 x 20mm</p>
	<p>Please allow an extra 1-2 working days for all orders containing 1500mm and 1800mm profiles.</p>


BRASS GOLD - DIY OUTLET	
 <p>TILE INSERT 80MM SPIGOT 304 GRADE STAINLESS STEEL SLIMLINE DEPTH</p>	<p>BTIG800-80BGNO 800 x 100 x 20mm</p> <p>BTIG900-80BGNO 900 x 100 x 20mm</p> <p>BTIG1000-80BGNO 1000 x 100 x 20mm</p> <p>BTIG1200-80BGNO 1200 x 100 x 20mm</p> <p>BTIG1500-80BGNO 1500 x 100 x 20mm</p> <p>BTIG1800-80BGNO 1800 x 100 x 20mm</p>
	<p>Please allow an extra 1-2 working days for all orders containing 1500mm and 1800mm profiles.</p>


BRASS GOLD - CENTRE OUTLET	
 <p>HEELGUARD 80MM CENTRE OUTLET 304 GRADE STAINLESS STEEL SLIMLINE DEPTH</p>	<p>BHG800-80BG 800 x 100 x 20mm</p> <p>BHG900-80BG 900 x 100 x 20mm</p> <p>BHG1000-80BG 1000 x 100 x 20mm</p> <p>BHG1200-80BG 1200 x 100 x 20mm</p> <p>BHG1500-80BG 1500 x 100 x 20mm</p> <p>BHG1800-80BG 1800 x 100 x 20mm</p>
	<p>Please allow an extra 1-2 working days for all orders containing 1500mm and 1800mm profiles.</p>

BRASS GOLD - DIY OUTLET	
 <p>HEELGUARD DIY 80MM SPIGOT 304 GRADE STAINLESS STEEL SLIMLINE DEPTH</p>	<p>BHG800-80BGNO 800 x 100 x 20mm</p> <p>BHG900-80BGNO 900 x 100 x 20mm</p> <p>BHG1000-80BGNO 1000 x 100 x 20mm</p> <p>BHG1200-80BGNO 1200 x 100 x 20mm</p> <p>BHG1500-80BGNO 1500 x 100 x 20mm</p> <p>BHG1800-80BGNO 1800 x 100 x 20mm</p>
	<p>Please allow an extra 1-2 working days for all orders containing 1500mm and 1800mm profiles.</p>

GUN METAL - CENTRE OUTLET		
 <p>TILE INSERT 80MM CENTRE OUTLET 304 GRADE STAINLESS STEEL SLIMLINE DEPTH</p>	<p>BTIG800-80GM BTIG900-80GM BTIG1000-80GM BTIG1200-80GM BTIG1500-80GM BTIG1800-80GM</p>	<p>800 x 100 x 20mm 900 x 100 x 20mm 1000 x 100 x 20mm 1200 x 100 x 20mm 1500 x 100 x 20mm 1800 x 100 x 20mm</p>
<p>Please allow an extra 1-2 working days for all orders containing 1500mm and 1800mm profiles.</p>		

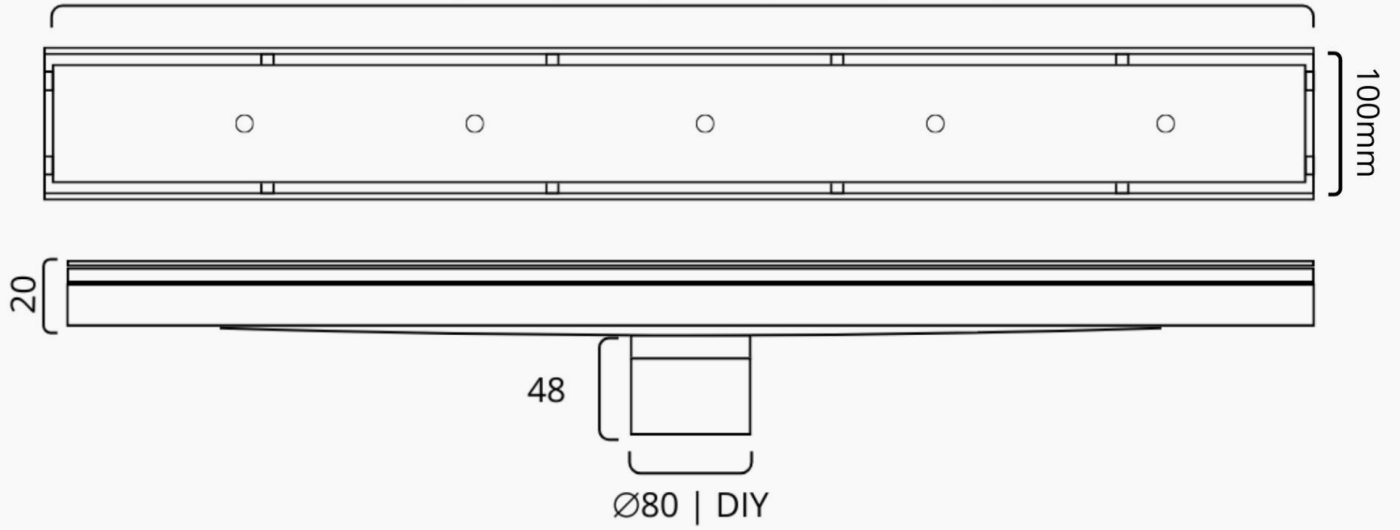
GUN METAL - DIY OUTLET		
 <p>TILE INSERT 80MM SPIGOT 304 GRADE STAINLESS STEEL SLIMLINE DEPTH</p>	<p>BTIG800-80GMNO BTIG900-80GMNO BTIG1000-80GMNO BTIG1200-80GMNO BTIG1500-80GMNO BTIG1800-80GMNO</p>	<p>800 x 100 x 20mm 900 x 100 x 20mm 1000 x 100 x 20mm 1200 x 100 x 20mm 1500 x 100 x 20mm 1800 x 100 x 20mm</p>
<p>Please allow an extra 1-2 working days for all orders containing 1500mm and 1800mm profiles.</p>		

GUN METAL - CENTRE OUTLET		
 <p>HEELGUARD 80MM CENTRE OUTLET 304 GRADE STAINLESS STEEL SLIMLINE DEPTH</p>	<p>BHG800-80GM BHG900-80GM BHG1000-80GM BHG1200-80GM BHG1500-80GM BHG1800-80GM</p>	<p>800 x 100 x 20mm 900 x 100 x 20mm 1000 x 100 x 20mm 1200 x 100 x 20mm 1500 x 100 x 20mm 1800 x 100 x 20mm</p>
<p>Please allow an extra 1-2 working days for all orders containing 1500mm and 1800mm profiles.</p>		

GUN METAL - DIY OUTLET		
 <p>HEELGUARD DIY 80MM SPIGOT 304 GRADE STAINLESS STEEL SLIMLINE DEPTH</p>	<p>BHG800-80GMNO BHG900-80GMNO BHG1000-80GMNO BHG1200-80GMNO BHG1500-80GMNO BHG1800-80GMNO</p>	<p>800 x 100 x 20mm 900 x 100 x 20mm 1000 x 100 x 20mm 1200 x 100 x 20mm 1500 x 100 x 20mm 1800 x 100 x 20mm</p>
<p>Please allow an extra 1-2 working days for all orders containing 1500mm and 1800mm profiles.</p>		

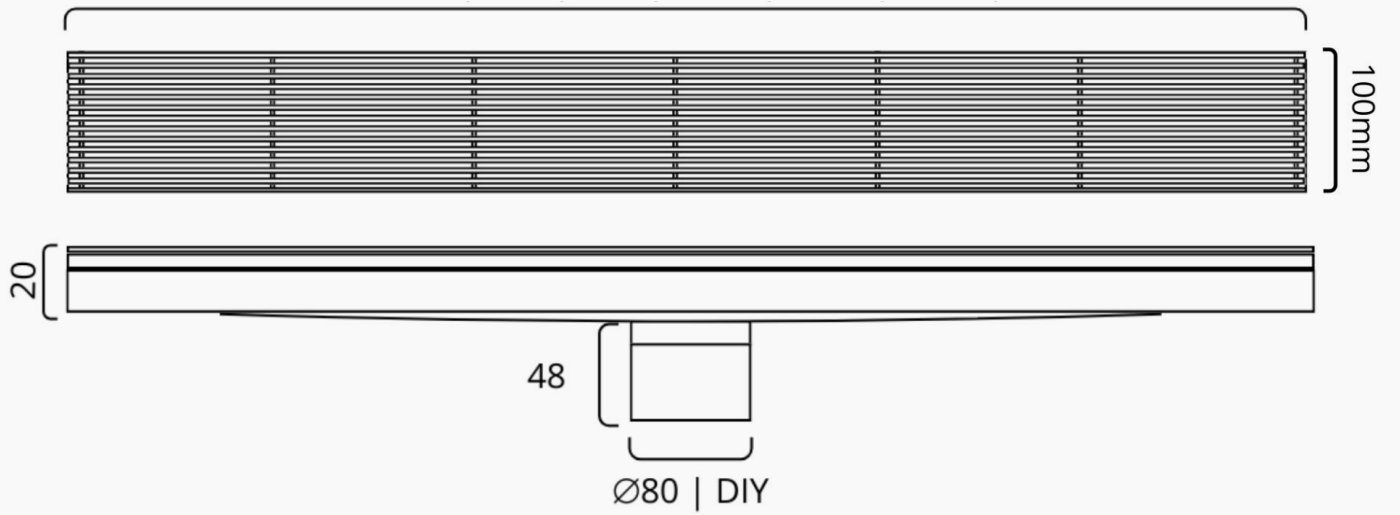
BTIG TILE INSERT GRATES

AVAILABLE IN 800 | 900 | 1000 | 1200 | 1500 | 1800MM



BHG HEELGUARD GRATES

AVAILABLE IN 800 | 900 | 1000 | 1200 | 1500 | 1800MM



PLEASE NOTE: Allow 7-10 working days for production. Please specify when ordering: Tile Insert or Heelguard, 304 or 316 grade stainless, length and width of grate, outlet diameter and position. A diagram always helps!

AUSTRALIAN MADE | 304 OR 316 GRADE STAINLESS STEEL
CUSTOM LENGTH SIZES & OUTLET POINTS | HIGH QUALITY STURDY CONSTRUCTION



Made in Australia

PLEASE NOTE: The use of tile insert floor wastes in shower settings may reduce drainage flow in some applications due to their limited intake area.

304 GRADE



**HEELGUARD
STAINLESS
BHGI15-80**

115 x 115 x 11mm
80mm DIA. OUTLET.

304 GRADE



**HEELGUARD
MATTE BLACK
BHGI15-80MB**

115 x 115 x 11mm
80mm DIA. OUTLET.

304 GRADE



**HEELGUARD
BRASS GOLD
BHGI15-80BG**

115 x 115 x 11mm
80mm DIA. OUTLET.

304 GRADE



**HEELGUARD
GUN METAL
BHGI15-80GM**

115 x 115 x 11mm
80mm DIA. OUTLET.

304 GRADE



**TILE INSERT
STAINLESS
BTIG115**

115 x 115 x 20mm
90mm DIA. OUTLET.

304 GRADE



**TILE INSERT
MATTE BLACK
BTIG115-MB**

115 x 115 x 20mm
90mm DIA. OUTLET.

304 GRADE



**TILE INSERT
BRASS GOLD
BTIG115-BG**

115 x 115 x 20mm
90mm DIA. OUTLET.

304 GRADE



**TILE INSERT
GUN METAL
BTIG115-GM**

115 x 115 x 20mm
90mm DIA. OUTLET.

304 GRADE



**2-IN-1 ROUND
STAINLESS
RTIG115**

115 x 21mm
88mm DIA. OUTLET.

304 GRADE



**2-IN-1 ROUND
MATTE BLACK
RTIG115-MB**

115 x 21mm
88mm DIA. OUTLET.

304 GRADE



**2-IN-1 ROUND
BRASS GOLD
RTIG115-BG**

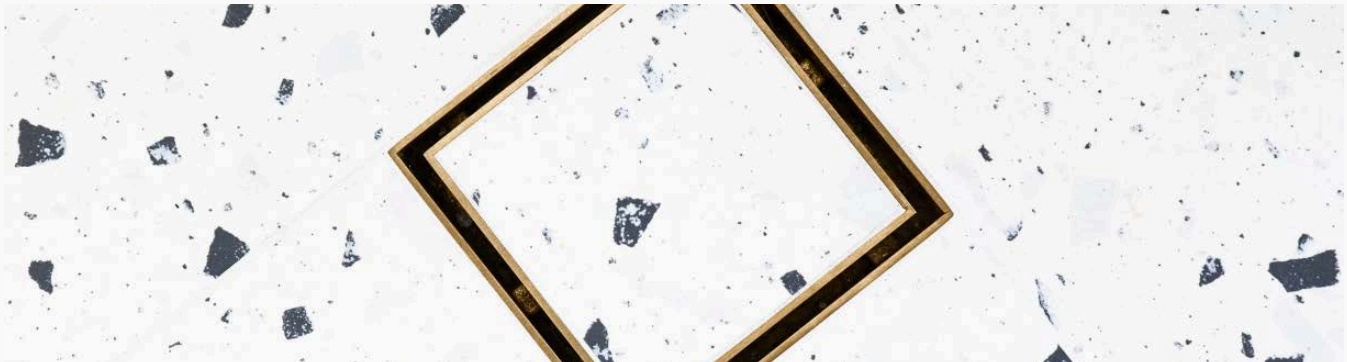
115 x 21mm
88mm DIA. OUTLET.

304 GRADE



**2-IN-1 ROUND
GUN METAL
RTIG115-GM**

115 x 21mm
88mm DIA. OUTLET.



PLEASE NOTE: The use of tile insert floor wastes in shower settings may reduce drainage flow in some applications due to their limited intake area.



**CHROME
TIW85**

100 x 100 x 20mm
88mm DIA. OUTLET.



**CHROME
GD328**

115 x 115 x 20mm
90mm DIA. OUTLET.



**CHROME
GD329**

115 x 115 x 20mm
75mm DIA. OUTLET.



**MATTE BLACK
TIW85-B**

100 x 100 x 20mm
88mm DIA. OUTLET.



**MATTE BLACK
GD328-B**

100 x 100 x 20mm
90mm DIA. OUTLET.



**MATTE BLACK
GD329-B**

115 x 115 x 20mm
75mm DIA. OUTLET.



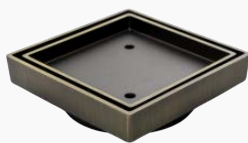
**GUN METAL
GD328-GM**

115 x 115 x 20mm
90mm DIA. OUTLET.



**GUN METAL
GD329-GM**

115 x 115 x 20mm
75mm DIA. OUTLET.



**ANTIQUE BRASS
GD328-AB**

115 x 115 x 20mm
90mm DIA. OUTLET.



**ANTIQUE BRASS
GD329-AB**

115 x 115 x 20mm
75mm DIA. OUTLET.



**SATIN NICKEL
GD328-SN**

115 x 115 x 20mm
90mm DIA. OUTLET.



**SATIN NICKEL
GD329-SN**

115 x 115 x 20mm
75mm DIA. OUTLET.



**BRUSHED GOLD
GD328-BRG**

115 x 115 x 20mm
90mm DIA. OUTLET.



**BRUSHED GOLD
GD329-BRG**

115 x 115 x 20mm
75mm DIA. OUTLET.



**BRUSHED COPPER
GD328-CPR**

115 x 115 x 20mm
90mm DIA. OUTLET.



**BRUSHED COPPER
GD329-CPR**

115 x 115 x 20mm
75mm DIA. OUTLET.

PLEASE NOTE: The use of tile insert floor wastes in shower settings may reduce drainage flow in some applications due to their limited intake area.



CHROME
TIW85D-CH

100 x 100 x 21mm
88mm DIA. OUTLET.



SATIN NICKEL
TIW85D-SN

100 x 100 x 21mm
88mm DIA. OUTLET.



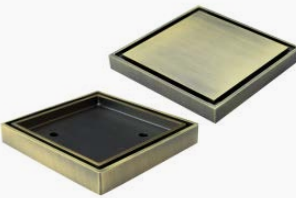
GUN METAL GREY
TIW85D-GM

100 x 100 x 21mm
88mm DIA. OUTLET.



MATTE BLACK
TIW85D-B

100 x 100 x 21mm
88mm DIA. OUTLET.



ANTIQUE BRASS
TIW85D-AB

100 x 100 x 21mm
88mm DIA. OUTLET.



BRUSHED GOLD
TIW85D-BRG

100 x 100 x 21mm
88mm DIA. OUTLET.



ROSE GOLD
TIW85D-RG

100 x 100 x 21mm
88mm DIA. OUTLET.



BRUSHED COPPER
TIW85D-CPR

100 x 100 x 21mm
88mm DIA. OUTLET.

SLIM MODERN WASTES COLLECTION



CHROME
CHG1085

100 x 100 x 9mm
88mm DIA. OUTLET.



SATIN NICKEL
CHG1085-SN

100 x 100 x 9mm
88mm DIA. OUTLET.



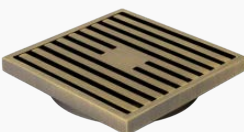
GUN METAL
CHG1085-GM

100 x 100 x 9mm
88mm DIA. OUTLET.



MATTE BLACK
CHG1085-B

100 x 100 x 9mm
88mm DIA. OUTLET.



ANTIQUE BRASS
CHG1085-AB

100 x 100 x 9mm
88mm DIA. OUTLET.



BRUSHED GOLD
CHG1085-BRG

100 x 100 x 9mm
88mm DIA. OUTLET.



ROSE GOLD
CHG1085-RG

100 x 100 x 9mm
88mm DIA. OUTLET.



BRUSHED COPPER
CHG1085-CPR

100 x 100 x 9mm
88mm DIA. OUTLET.



STANDARD
CHROME
FW100SC

110 x 110 x 20mm
100mm DIA. OUTLET.



STANDARD
CHROME
FW80SC

85 x 85 x 20mm
75mm DIA. OUTLET.



STANDARD
MATTE BLACK
FW100SC-B

110 x 110 x 20mm
100mm DIA. OUTLET.



STANDARD
MATTE BLACK
FW80SC-B

85 x 85 x 20mm
75mm DIA. OUTLET.



LOW-PROFILE
CHROME
FW100SC-L

110 x 110 x 11mm
100mm DIA. OUTLET.



STANDARD
ROUND CHROME
FW100RC

110 x 20mm
100mm DIA. OUTLET.



INSPECTION
ROUND CHROME
ID100RC

110 x 20mm
100mm DIA. OUTLET.



INSPECTION
CHROME
ID100SC

110 x 110 x 20mm
100mm DIA. OUTLET.



INSPECTION
BRUSHED GOLD
ID100SC-BRG

110 x 110 x 20mm
100mm DIA. OUTLET.



INSPECTION
MATTE BLACK
ID100SC-B

110 x 110 x 20mm
100mm DIA. OUTLET.



INSPECTION
GUN METAL
ID100SC-GM

110 x 110 x 20mm
100mm DIA. OUTLET.



INSPECTION
SATIN NICKEL
ID100SC-SN

110 x 110 x 20mm
100mm DIA. OUTLET.

Universal dome pop up wastes suitable for 32/40mm basins with or without overflow.



**CHROME
DUPU-CH**



**MATTE WHITE
DUPU-MW**



**BRUSHED NICKEL
DUPU-BN**



**BRUSHED GOLD
DUPU-BRG**



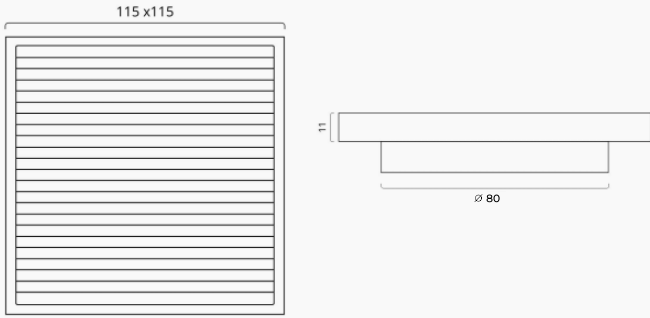
**GUN METAL
DUPU-GM**



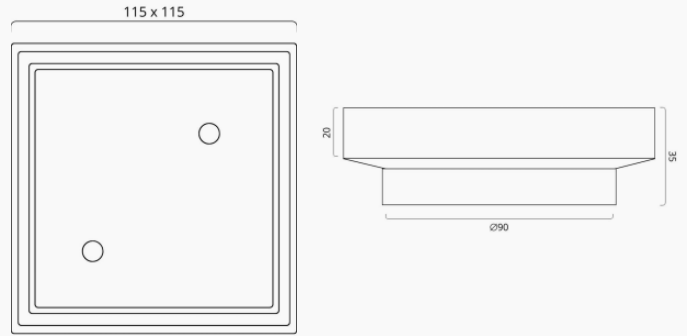
**MATTE BLACK
DUPU-MB**

All measurements are in Millimeters (mm).

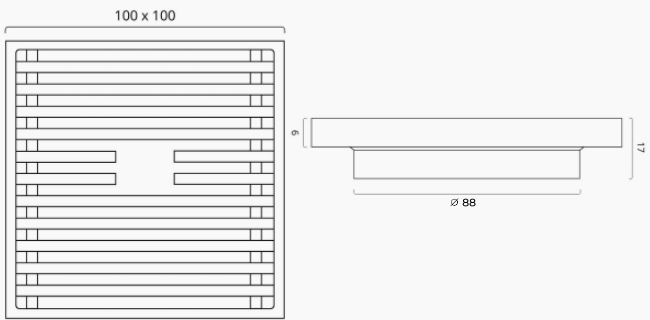
BHG115



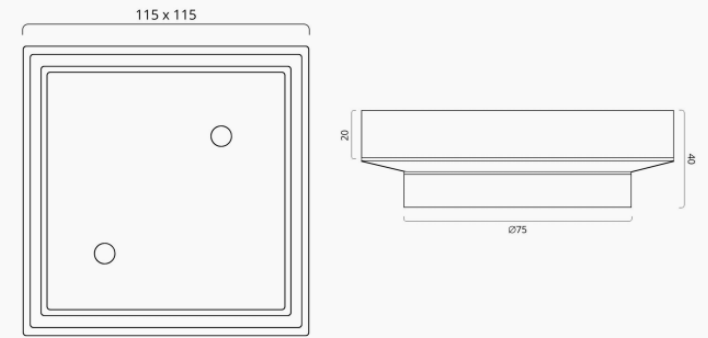
BTIG115, GD328



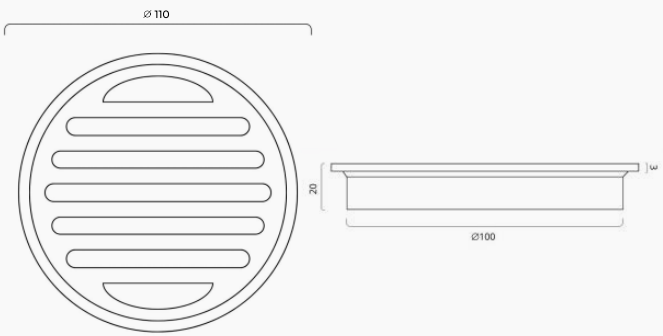
CHG1085



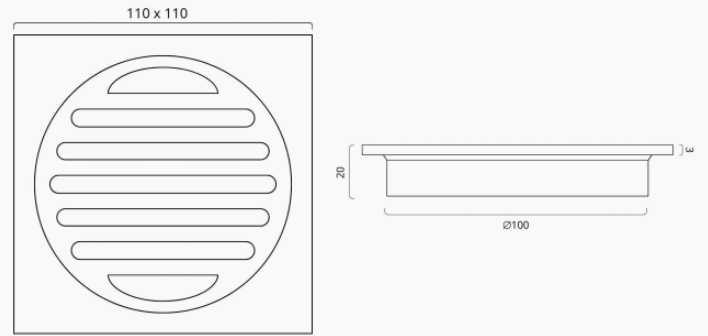
GD329



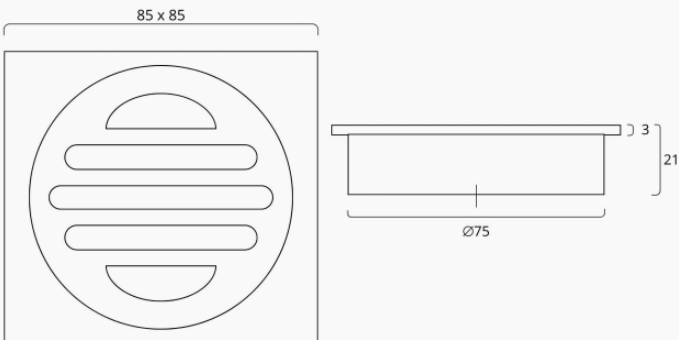
FW100RC



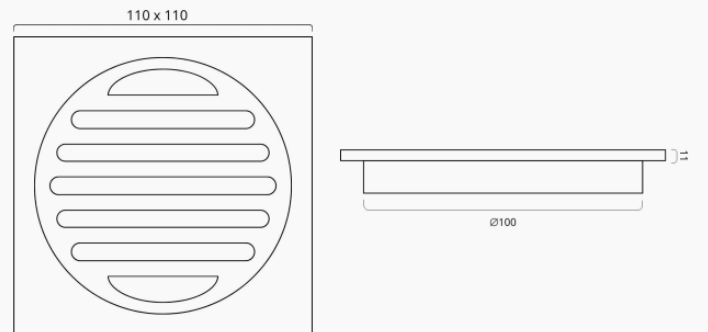
FW100SC



FW80C

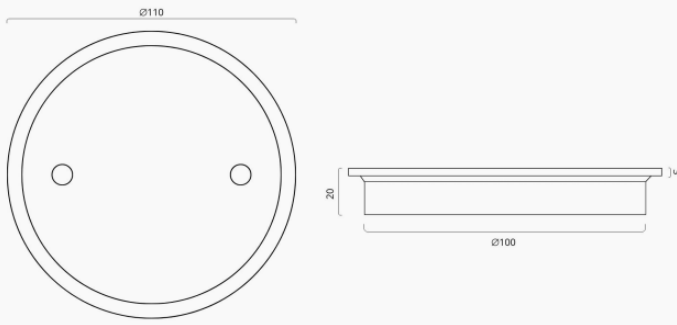


FW100SC-L

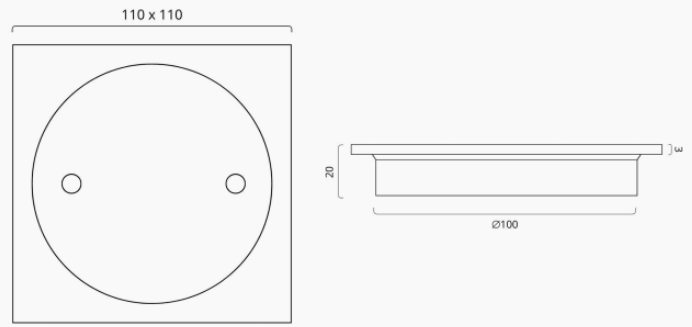


All measurements are in Millimeters (mm).

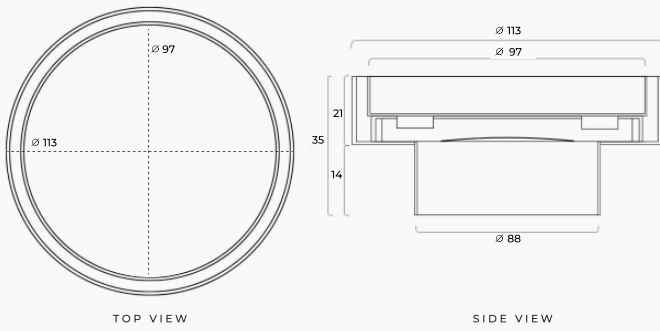
ID100RC



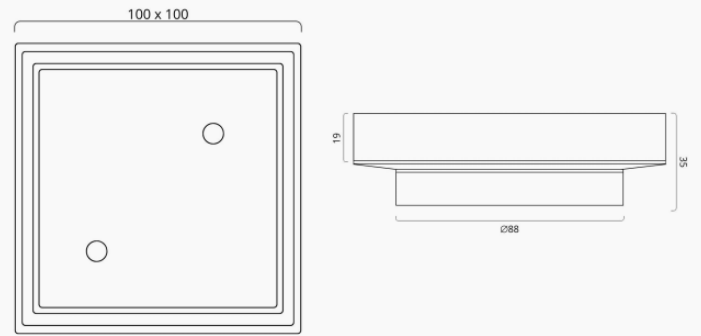
ID100SC



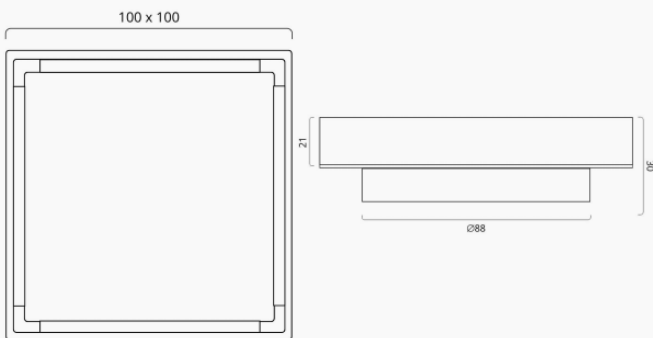
RTIG115



TIW85



TIW85D



POP-UP WASTES

